

Eriez Magnetics Grate in Housing Specification Sheet

Customer name: _____

Order # _____

Customer purchase order number: _____

Date: _____

Please shade in the appropriate circles. Example

Adapters? Inlet Outlet

Capacity? _____ TPH _____ CFH

Product density? _____ PCF

Maximum product temperature? _____ °F

Maximum lump size? _____ Inches

Product description? _____

Please note any special material characteristics:

Magnet circuit? _____

Magnet banks? Two Four

Dust Yes No

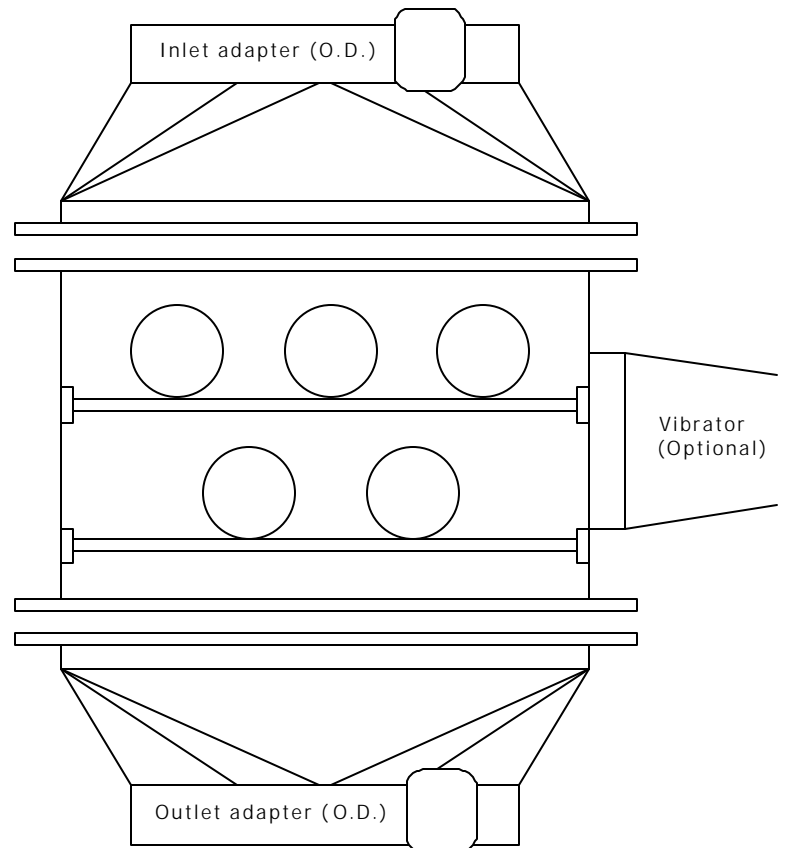
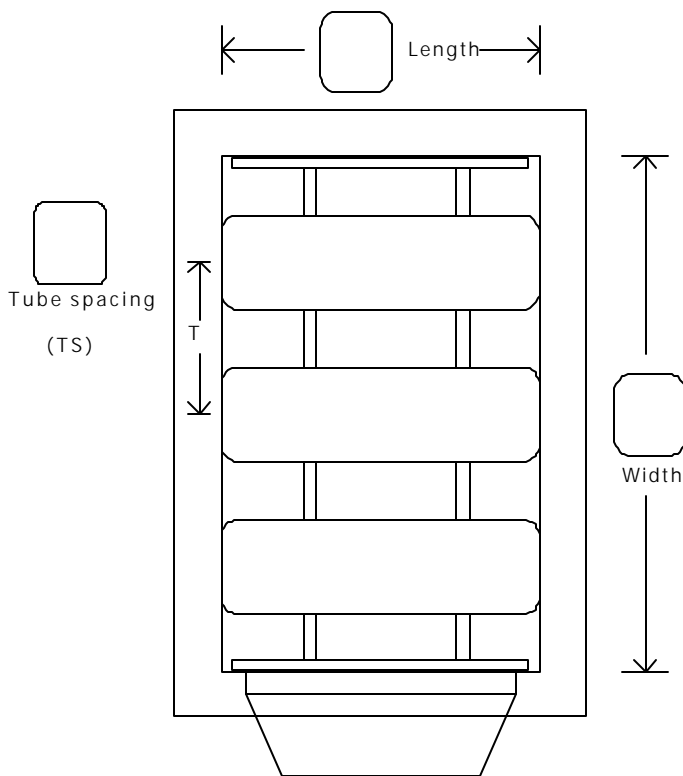
Construction? Standard 304SS 316SS

Sanitary Construction? Yes No

If Yes, please provide completed sanitary specification sheet.

Vibratory construction? Yes No

Please fill in the appropriate dimensions.



Other Special Requirements:

Headquarters or field office signature

Customer's signature